

# AREC CI-T21H

Professional Auto-Tracking PTZ  
Conferencing Camera



CI-T21H

## Perfect Combination of Compact PTZ Camera and Auto-Tracking Technology

AREC CI-T21H Auto-Tracking PTZ Camera is a professional-grade high quality PTZ camera that also can track a moving presenter automatically while shooting video. Combining a high-performance pan/tilt/zoom camera, compact design and AREC's excellent motion-sensitive tracking technology, AREC CI-T21H is ideal for mid-size to large conference room or lecture capture, and is easy to move and work between meeting rooms.





- Capable of production quality Full HD video output up to 1080/60p via HDMI, USB and IP transmission
- Easy integration with various video conferencing softwares and hard codec system
- Compact and affordable professional PTZ conferencing cameras with superior auto-tracking technology
- Plug-and-play compatibility: USB connectivity to PC and Laptop
- Featuring a 10x optical zoom that delivers smooth pan, tilt, and zoom-in performance
- Automatic tracking without a camera operator, keeping the presenter in frame while shooting video
- Accurate and smooth tracking performance. Superior continued smooth movement even in situations where a presenter is writing on a whiteboard or close-up shots, just like a professional cameraman does
- Able to start automatic tracking while turning on the positioner's power, without complicated setting
- Enable to move and work between meeting rooms freely
- Professional integration capabilities including RS-232 and VISCA protocol. IP control available
- Wide range Pan/ Tilt/ Zoom actions, perfect fit for mid to large-size conference rooms or enterprise training rooms

## Main Features

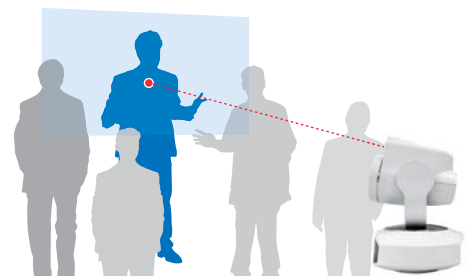
### Professional Video Quality for Conferencing Rooms

AREC CI-T21H Auto-Tracking PTZ Camera, with 270 degree rotation, a 60 degree tilt range and 10x zoom, makes pro-quality Full HD 1080p video with autofocus for conferencing rooms and live streaming at an affordable price.



### Automatic Tracking and Hands-Free Control

AREC CI-T21H, adopting AREC's motion-sensitive tracking technology, makes tracking automatically and precisely. There is no interference from any other moving people. AREC's tracking technology also provides flexibility, enabling users to move and use CI-T21H between meeting rooms freely without complicated setting.



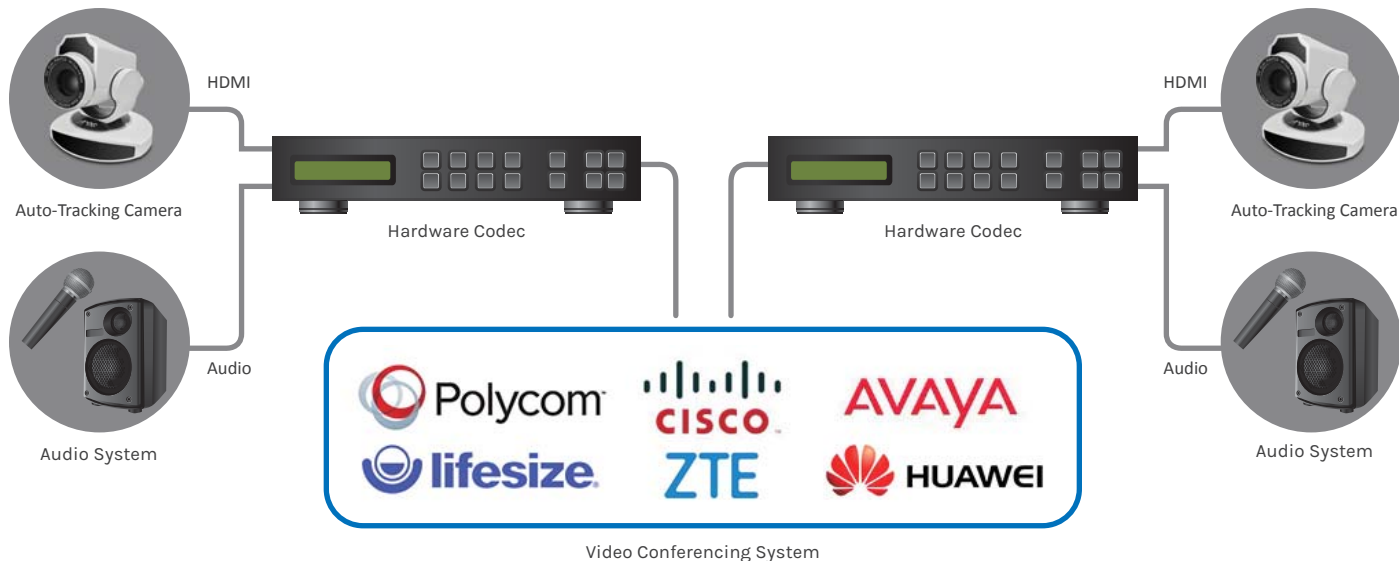
### Accurate and Smooth Tracking Performance

In order to capture presenter's best performance, AREC CI-T21H provides superior continued smooth movement even in situations where a presenter is writing on a whiteboard or close-up shots, just like a professional cameraman does.



### Easy Integration with Various Room-Based Video Conferencing System

With HDMI connection, AREC CI-T21H is compatible with nearly all room-based video conferencing systems (hard codec) in the market today.



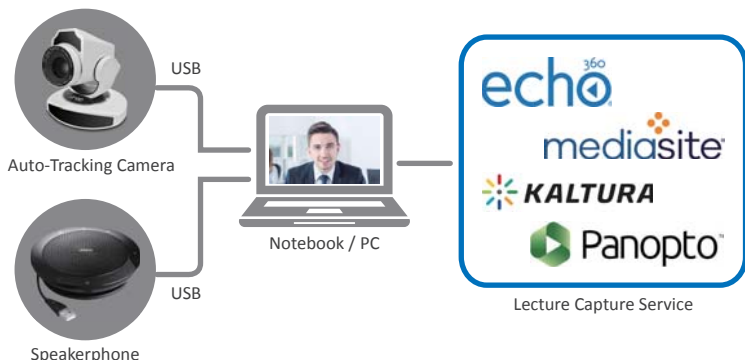
### Compatible with Popular Web Conferencing Applications

AREC CI-T21H works seamlessly with all major video conferencing software with a plug-and-play USB connection. Coming with a USB Speakerphone, it's easy to get your collaborative meeting with crystal-clear voice ensures everyone is heard.



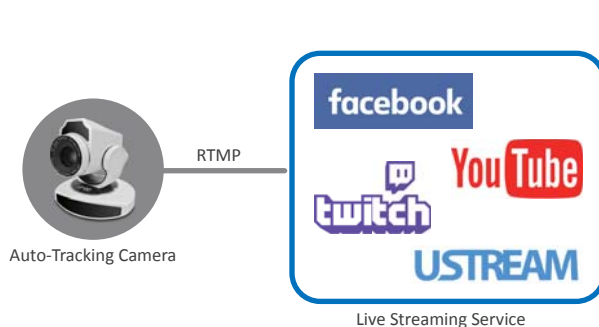
### Compatible with Lecture Capture Service

Via HDMI, USB or IP transmission, AREC CI-T21H is compatible with various lecture capture platform, providing high-quality video for lecture recordings.



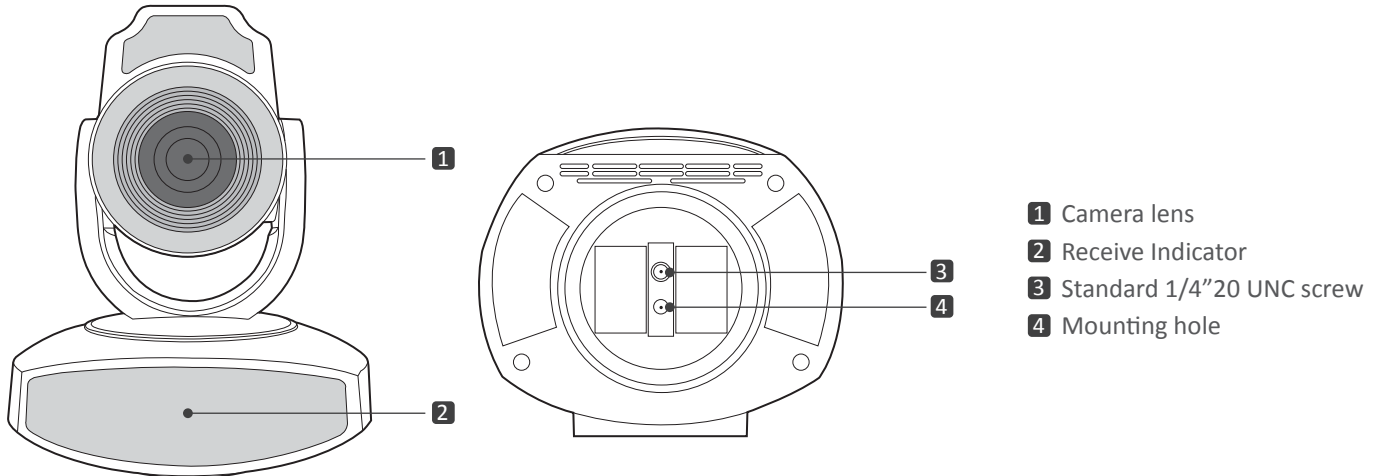
### Supporting Live Streaming Service

Via RTMP, AREC CI-T21H can stream live video to all popular CDNs, such as Youtube, Facebook, Twitch, and Ustream.

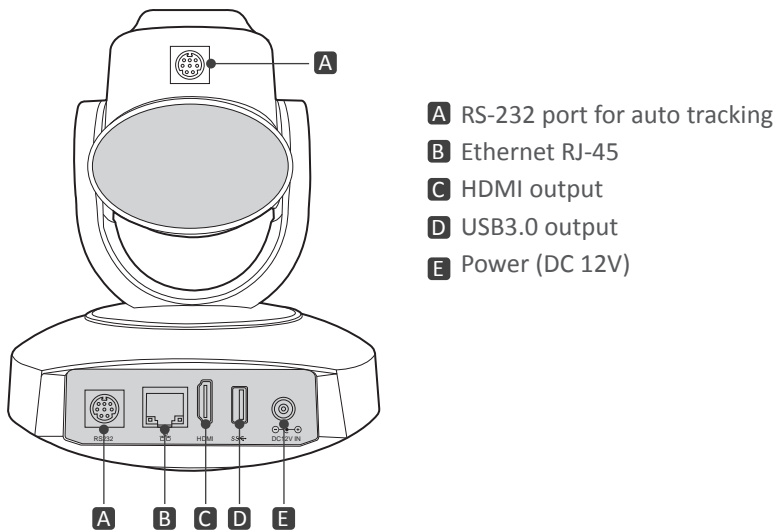


## Product Appearance & Connectors

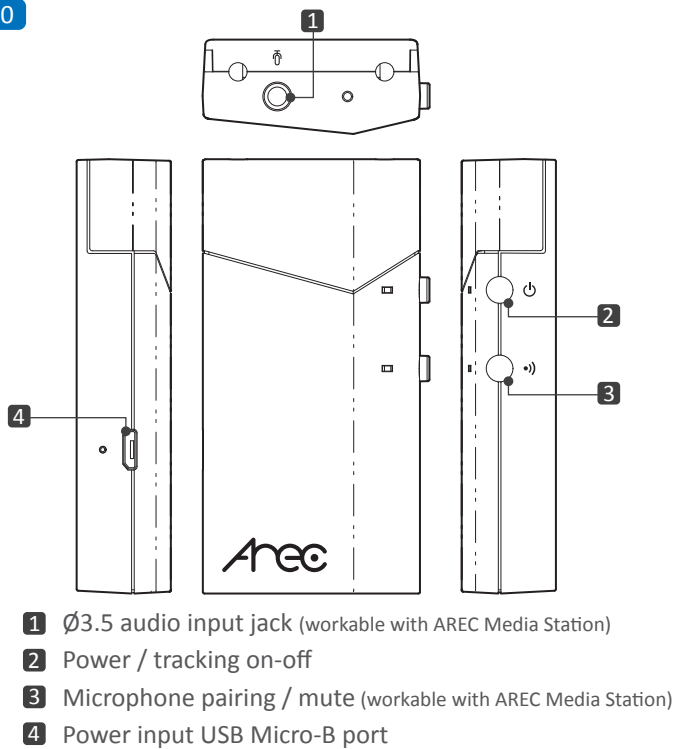
### CI-T21H



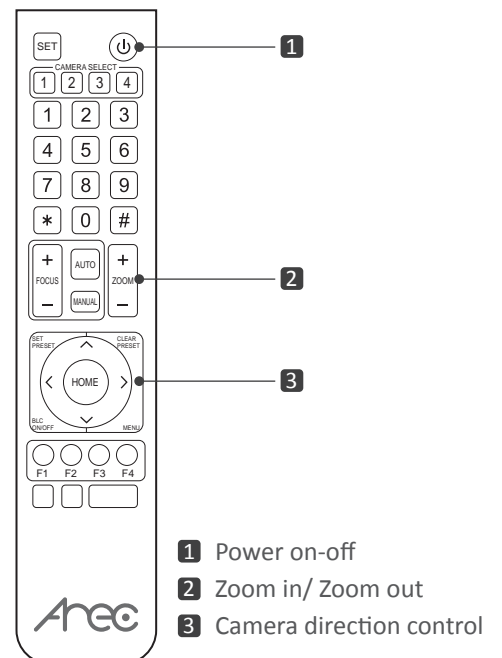
### CI-T21H Interface



### AM-600



### Remote Controller



## Specifications



Model Name	CI-T21H Tracking Camera
Image Sensor	1/2.8" progressive CMOS
Minimum Illumination	0.5 lux @ F1.8
Video Compression	H.264
White Balance	Auto / Manual / One Push
Image Setting	BLC / WDR / 2D & 3D noise reduction
Max. Resolution	1920x1080 @ 60fps (IP Streaming) 1920x1080 @ 60fps (HDMI/USB 3.0)
Video Output Port	HDMI + USB 3.0
Optical Lens	10x optical zoom
Focal Length	4.7 - 47mm
Iris	F1.6 (wide) / F3.0 (tele)
View Angle	60.9° (wide) / 6.43° (tele)
Control Port	RS-232
Control Protocol	VISCA / Pelco-D / Pelco-P
Network Protocol	RTSP, RTMP, ONVIF
Pan/Tilt Rotation	-135°~+135°, -30°~+30°
Auto-Tracking Range	3~10m, auto-zoom
Auto-Tracking Technology	AREC's motion-sensitive tracking and continued smooth movement technology
Network Interface	RJ-45, 100Mbps Ethernet
Dimension (L x W x H)	126.7 x 151.2 x 179.5 mm
Weight	1.45kg
Positioner	AM-600
Control Buttons	Power
Effective Distance	10m radius (max.)
Power Supply	Built-in rechargeable lithium battery
Power Input	USB Micro-B port
Power Consumption	4 hours, after fully charged
Dimension (L x W x H)	82 x 40 x 18 mm
Weight	70g



AREC Inc. | [www.arec.com](http://www.arec.com) | [sales@arec.com](mailto:sales@arec.com)

Headquarters : Taipei, Taiwan Address: 3F, No. 367, Sec.2, Wenhua RD., Banqiao Dist., New Taipei City 220, Taiwan (R.O.C)

TEL : +886-2-8259-5060

AREC reserves the right to modify product specifications without prior notice.