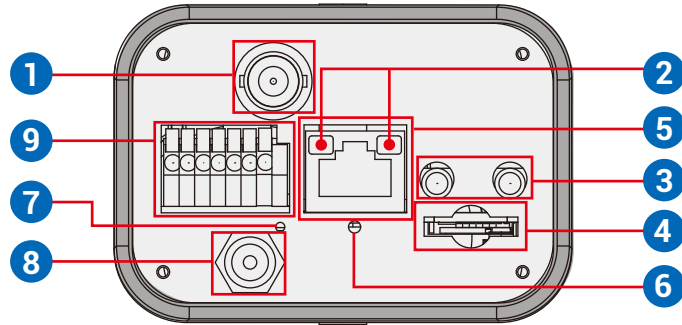


# CI-303 Network Camera Quick Guide

This guide is for quick installing and connecting the CI-303 Network Camera. For more details, please refer to the User's Manual.

## Camera's Connectors



No.	Connector	Definition	
1	BNC	For analogue video output	
2	Network LEDs	For network connection and activity indication	
3	Audio I/O	Two-way audio transmission	
4	microSD Card Slot	Insert the microSD card into the card slot to store videos and snapshots. Do not remove the microSD card when the camera is powered on.	
5	PoE Network (RJ-45)	For network and PoE connections	
6	Default Button	Press the button with a proper tool for at least 20 seconds to restore the system.	
7	Power LED	For power connection indication (green light)	
8	Power (DC 12V)	For power connection.	
9	Alarm I/O	1 Alarm In 2+	5 Alarm Out +
		2 Alarm In -	6 D+
		3 Alarm In 1+	7 D-
		4 Alarm Out	

\* Do NOT connect external power supply to the alarm I/O connector of the camera.

⚠ NOTE : To purchase power adaptor, please contact the camera manufacturer for further information.

⚠ NOTE : It is not recommended to record with the microSD card for 24/7 continuously, as it may not be able to support long term continuous data read/write. Please contact the manufacturer of the microSD card for information regarding the reliability and the life expectancy.

## Camera Cabling

Please follow the instructions below for cable connections.

### Power Connection

Please use a DC 12V power adaptor and plug it to the power connector of camera and the power outlet. If users wish to use an AC 24V power adaptor, please first plug the supplied power switch to the power connector of the camera.

Alternatively, users can use an Ethernet cable and connect it to the RJ-45 connector of the camera and a Power Sourcing Equipment (PSE) switch.

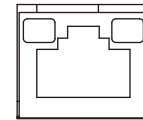
⚠ NOTE : If PoE is used, make sure PSE is in use in the network.

### Ethernet Cable Connection

Connect one end of the Ethernet cable to the RJ-45 connector of the camera, and plug the other end of the cable to the network switch or PC.

⚠ NOTE : In some cases, Ethernet crossover cable might be needed when connecting the camera directly to the PC.

⚠ NOTE : Check the status of the link indicator and the activity indicator LEDs. If the LEDs are unlit, please check the LAN connection.



Green Link Light indicates good network connection.  
Orange Activity Light flashes for network activity indication.

⚠ NOTE : The ITE is to be connected only to PoE networks without routing to the outside plant or equivalent description.

## Before Login to the Camera

A client program will be automatically installed to the PC when connecting to the camera. Before logging in to the camera, please ensure downloading the ActiveX control is allowed by either changing the ActiveX controls and plug-ins or setting Internet's security level to default. For further details, please refer to the User's Manual.

### ActiveX Controls and Plug-ins Settings


- Step 1 : Start the Internet Explorer (IE).
- Step 2 : Select <Tools> from the main menu of the browser. Then click on <Internet Options>.
- Step 3 : Click on the <Security> tab and select<Internet>, and click on <Custom level> to change ActiveX settings.
- Step 4 : Set "ActiveX controls and plug-ins" items to<Prompt> or <Enable>.

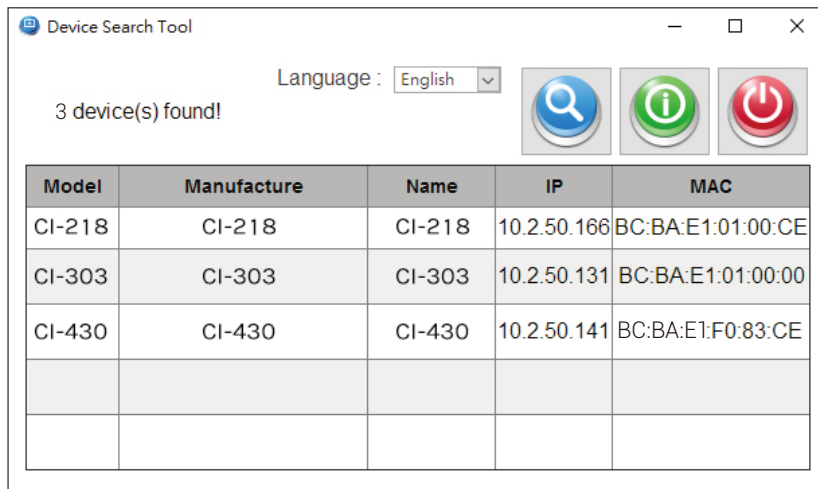
### Internet Security Level

- Step 1 : Start the Internet Explorer (IE).
- Step 2 : Select <Tools> from the main menu of the browser. Then click on <Internet Options>.
- Step 3 : Click on the <Security> tab and select<Internet>.
- Step 4 : Down the page, click <Default Level> and click on <OK> to confirm the setting. Close the browser window, and open a new one later for accessing the camera.

## Camera Login

The default network setting of the camera is DHCP, which means IP is assigned by a router or any DHCP server. To log in to the administration web, please connect the camera and your PC / Notebook or a DHCP server. Follow below steps to access the camera for the first time.

- Run the "Device Search Tool" utility, and click  button.
- The tool should find the network camera and show detailed information. Double click on the founded CI-303.
- An access window will pop-up and ask for user name and password.
- Enter the default user name and password admin/ admin in the dialogue. Note that user name is case sensitive.



## Install the ActiveX Control

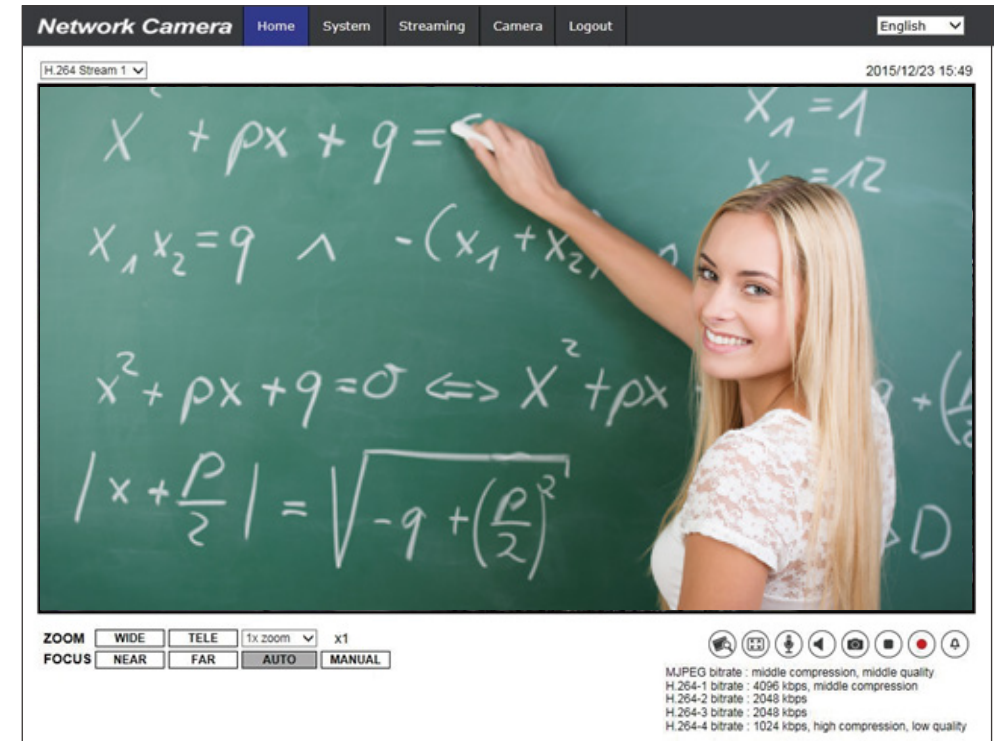
- After connecting to the camera, the request for installing the ActiveX control will appear just below the URL bar.
- Right click on the information bar, and then click on <Install ActiveX Control...> to permit ActiveX control installation.



- In the pop-up security warning window, click on <Install> to start downloading DCViewer software on the PC.
- Click on <Finish> after DCViewer installation is completed.

## Browser-based Viewer

The main page of the network camera user interface is shown as the figure below. Please note that function buttons will vary depending on the camera model.



# CI-303 Network Camera Quick Guide

Ver. 1.0